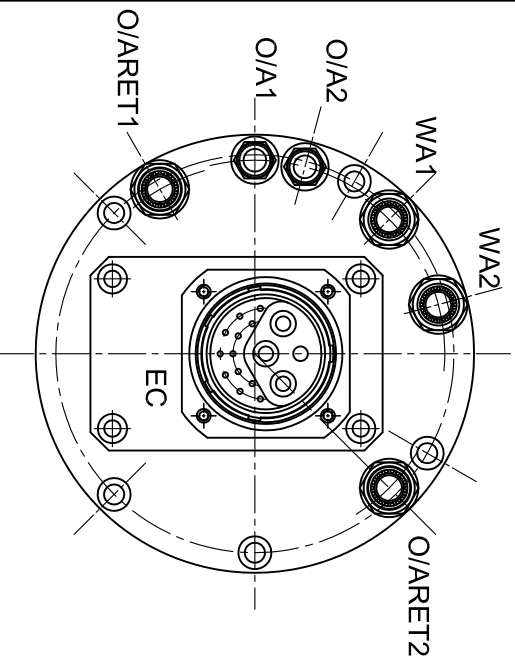
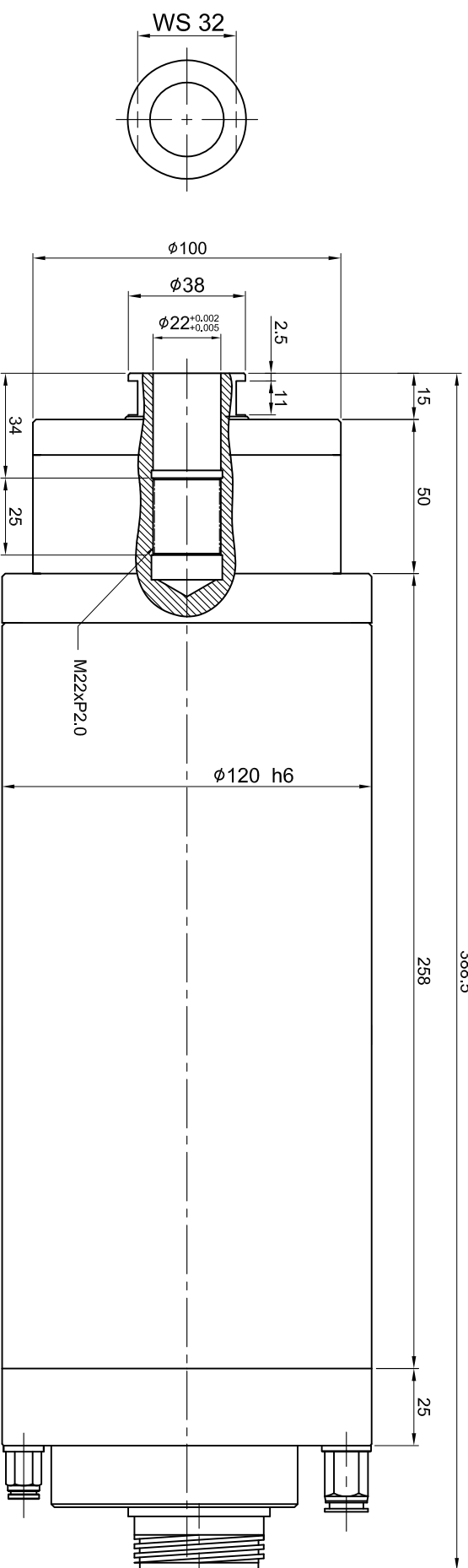
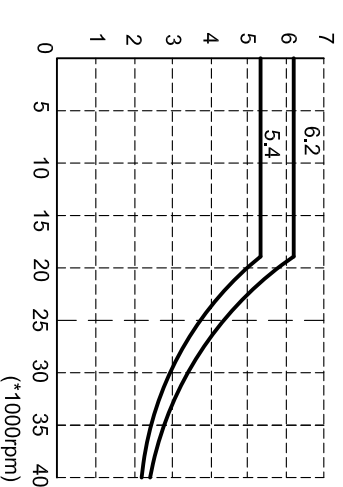


GSP120-30K Grinding Electrospindle

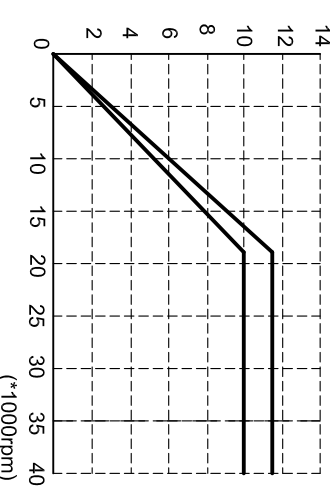
388,5



(Nm) Torque-diagram



(Kw) Power-diagram



Max.continuous power 10 kw (S1)
 Max.peak power 11.5 kw (S6)
 Max.speed 30000rpm

O/A RET 1 Oil Air Lubrication return (ø8mm)
 O/A RET 2 Oil Air Lubrication return (ø8mm)
 O/A 1 Oil Air Lubrication (ø6mm)
 O/A 2 Oil Air Lubrication (ø6mm)
 W/A1 Oil Air Lubrication (ø6mm)
 W/A2 Cooling Water in (ø10mm)
 EC Cooling Water out (ø10mm)
 Electrical connection

Taper size

D22/38

Static rigidial

Axial 90 (N/um)
 Radial 130 (N/um)